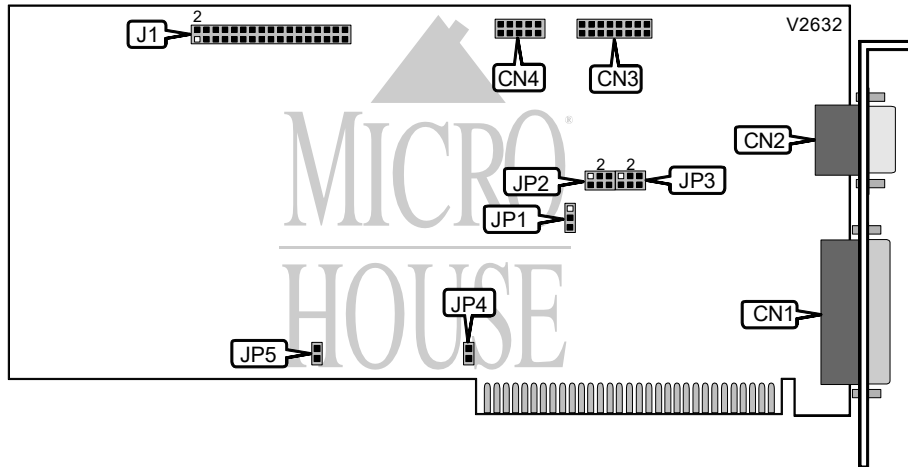


# DTK COMPUTER, INC. COURIER 6 HEXA I/O CARD

Card Type	Multi I/O card
Chip Set	Unidentified
Maximum Onboard Memory	None
I/O Options	floppy drive interface, game port, parallel port, serial ports (2)
Data Bus	8-bit ISA



CONNECTIONS			
Function	Label	Function	Label
Parallel port	CN1	Serial port 2	CN4
Serial port 1	CN2	Floppy disk controller port	J1
Game port	CN3		

USER CONFIGURABLE SETTINGS			
Function	Label	Position	
Clock 1 enabled	JP1	Pins 2 & 3 closed	
Clock 2 enabled	JP1	Pins 1 & 2 closed	
Game port enabled	JP4	Closed	
Game port disabled	JP4	Open	
Printer port LPT2 Enabled	JP5	Closed	
Printer port LPT2 Disabled	JP5	Open	

SERIAL PORT 1 ADDRESS SELECTION	
Setting	JP2
COM1 (3F8h)	Pins 1 & 2, 5 & 6 closed
COM2 (2F8h)	pins 2 & 3, 4 & 5 closed

SERIAL PORT 2 ADDRESS SELECTION	
Setting	JP2
COM1 (3F8h)	pins 2 & 3, 4 & 5 closed
COM2 (2F8h)	Pins 1 & 2, 5 & 6 closed

SERIAL PORT 1 INTERRUPT SELECTION	
IRQ	JP3
IRQ3	Pins 2 & 3, 4 & 5 closed
IRQ4	Pins 1 & 2, 5 & 6 closed

Continued on next page. . .

DTK COMPUTER, INC.  
 COURIER 6 HEXA I/O CARD

. . . continued from previous page

SERIAL PORT 2 INTERRUPT SELECTION	
IRQ	JP3
IRQ3	Pins 1 & 2, 5 & 6 closed
IRQ4	Pins 2 & 3, 4 & 5 closed

PORT CONFIGURATION		
IRQ	JP2	JP3
Existing port - COM1	Pins 4 & 5 closed	Pins 4 & 5 closed
Existing port - COM2	Pins 5 & 6 closed	Pins 5 & 6 closed
Port #1 - COM1	Pins 5 & 6 closed	Pins 5 & 6 closed
Port #1 - COM2	Pins 4 & 5 closed	Pins 4 & 5 closed