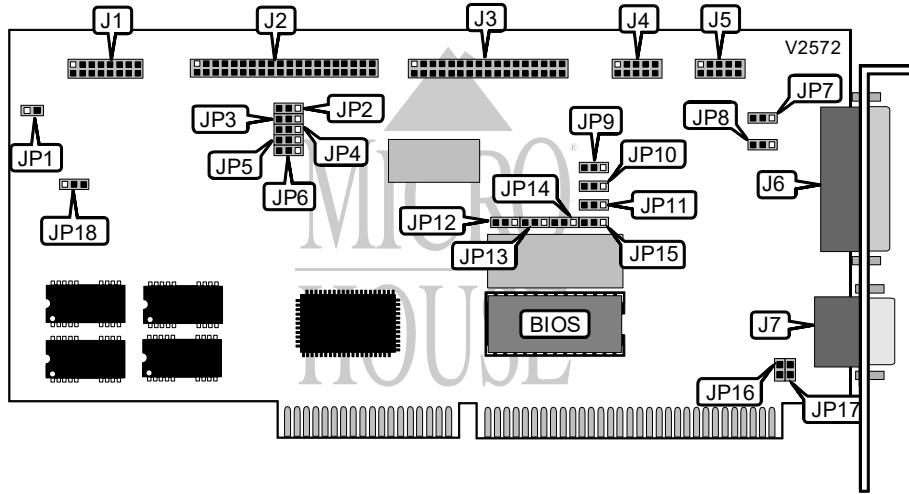


# GIGA-BYTE TECHNOLOGY CO., LTD.

## GA - 100

Card Type	Multi-I/O card
Chip Set	OTIO67, 82C862
Maximum Onboard Memory	512 KB
I/O Options	Floppy drive interface, game port, parallel port, serial ports (2), VGA port
Data Bus	16-bit ISA
Floppy drives supported	Unidentified



CONNECTIONS			
Function	Label	Function	Label
Game port	J1	Serial port 1	J5
IDE port	J2	Printer port	J6
Floppy drive interface	J3	15-pin analog video port	J7
Serial port 2	J4		

USER CONFIGURABLE SETTINGS			
Function	Label	Position	
í Factory configured - do not alter	JP1	Open	
í IDE enabled	JP2	Pins 1 & 2 closed	
IDE disabled	JP2	Pins 2 & 3 closed	
í Floppy drive interface enabled	JP3	Pins 1 & 2 closed	
Floppy drive interface disabled	JP3	Pins 2 & 3 closed	
í Floppy drive interface 1 enabled	JP4	Pins 1 & 2 closed	
Floppy drive interface 2 enabled	JP4	Pins 2 & 3 closed	
í Game port enabled	JP5	Pins 1 & 2 closed	
Game port disabled	JP5	Pins 2 & 3 closed	
í GA-100 is primary IDE interface in system	JP6	Pins 1 & 2 closed	
GA-100 is secondary IDE interface in system	JP6	Pins 2 & 3 closed	

Continued on next page. . .

GIGA-BYTE TECHNOLOGY CO., LTD.  
GA - 100

. . . continued from previous page

USER CONFIGURABLE SETTINGS (CON'T)		
Function	Label	Position
í Parallel port enabled	JP7	Pins 1 & 2 closed
Parallel port disabled	JP7	Pins 2 & 3 closed
í Parallel port 1 enabled	JP8	Pins 1 & 2 closed
Parallel port 2 enabled	JP8	Pins 2 & 3 closed
í COM2 enabled	JP9	Pins 1 & 2 closed
COM4 enabled	JP9	Pins 2 & 3 closed
í COM2/4 enabled	JP10	Pins 1 & 2 closed
COM2/4 disabled	JP10	Pins 2 & 3 closed
í COM1/3 enabled	JP11	Pins 1 & 2 closed
COM1/3 disabled	JP11	Pins 2 & 3 closed
í Parallel port IRQ7 enabled	JP12	Pins 1 & 2 closed
Parallel port IRQ5 enabled	JP12	Pins 2 & 3 closed
í COM1/3 IRQ4 enabled	JP13	Pins 1 & 2 closed
COM1/3 IRQ3 enabled	JP13	Pins 2 & 3 closed
í COM2/4 IRQ4 enabled	JP14	Pins 1 & 2 closed
COM2/4 IRQ3 enabled	JP14	Pins 2 & 3 closed
í COM1/3 COM1 enabled	JP15	Pins 1 & 2 closed
COM1/3 COM3 enabled	JP15	Pins 2 & 3 closed
í Display type color	JP16	Closed
Display type monochrome	JP16	Open
í Display type Interlaced	JP17	Open
Display type non-interlaced	JP17	Closed
í VGA function VGA	JP18	Pins 2 & 3 closed
VGA function VESA	JP18	Pins 1 & 2 closed