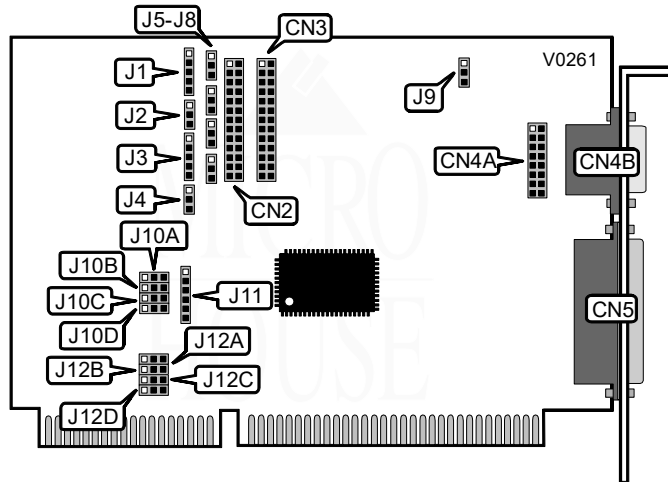


# KOUWELL ELECTRONIC CORPORATION

## KM-528

<b>Card Type</b>	Multi I/O card
<b>Chipset/Controller</b>	National Semiconductor
<b>I/O Options</b>	Floppy drive interface, game port, parallel port, serial ports (2)
<b>Maximum DRAM</b>	N/A



CONNECTIONS			
Purpose :	Location	Purpose :	Location
Serial port 1	CN2	Game port DB-15	CN4B
Serial port 2	CN3	Parallel port	CN5
Game port 16-pin header	CN4A		

FACTORY CONFIGURED SETTINGS	
Jumpers	Settings
J1	Pins 2 & 3, 4 & 5 closed
J2	Pins 2 & 3 closed
J3	Pins 2 & 3, 4 & 5 closed
J4	Pins 2 & 3 closed
J5	Pins 2 & 3 closed
J6	Pins 2 & 3 closed
J7	Pins 2 & 3 closed
J8	Pins 2 & 3 closed

Continued on next page . . .

**KOUWELL ELECTRONIC COMPANY**  
**KM-528**

... continued from previous page

SERIAL PORT CONFIGURATION					
Port 1 (CN2)	Port 2 (CN3)	J10A	J10B	J10C	J10D
COM1	COM2	Open	Open	Pins 1 & 2	Pins 2 & 3
COM1	Disabled	Open	Open	Open	Pins 2 & 3
Disabled	COM2	Open	Open	Pins 1 & 2	Open
COM3	COM4	Pins 1 & 2	Pins 2 & 3	Open	Open
COM3	Disabled	Open	Pins 2 & 3	Open	Open
Disabled	COM4	Pins 1 & 2	Open	Open	Open

Note: Pins designated should be in the closed position.

SERIAL PORT INTERRUPT SELECT					
Port 1 (CN2)	Port 2 (CN3)	J12A	J12B	J12C	J12D
IRQ4	IRQ3	Open	Pins 1 & 2	Pins 2 & 3	Open
IRQ4	Disabled	Open	Open	Pins 2 & 3	Open
Disabled	IRQ3	Open	Pins 1 & 2	Open	Open
IRQ5	IRQ2	Pins 1 & 2	Open	Open	Pins 2 & 3
IRQ5	Disabled	Open	Open	Open	Pins 2 & 3
Disabled	IRQ2	Pins 1 & 2	Open	Open	Open

Note: Pins designated should be in the closed position.

PARALLEL PORT CONFIGURATION			
LPT	Mode	J9	J11
1	Unidirectional	Pins 1 & 2 closed	Pins 4 & 5 closed
2	Bidirectional	Pins 2 & 3 closed	Pins 5 & 6 closed