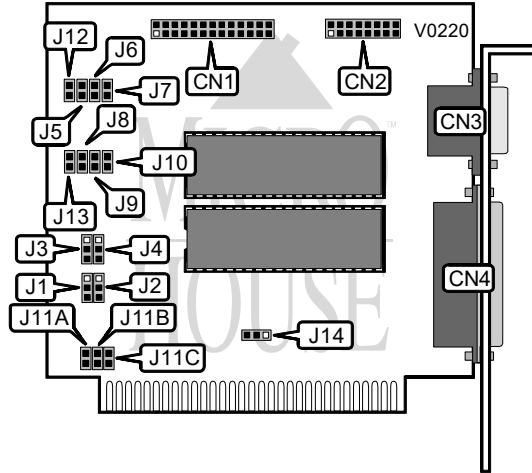


# KOUWELL ELECTRONIC CORPORATION

## KW-524E

<b>Card Type</b>	Multi I/O card
<b>Chipset/Controller</b>	Krueger company
<b>I/O Options</b>	Game port, parallel port, serial ports (2)
<b>Maximum DRAM</b>	N/A



CONNECTIONS			
Purpose :	Location	Purpose :	Location
Serial port 2	CN1	Serial port 1	CN3
Game port	CN2	Parallel port	CN4

SERIAL PORT CONFIGURATION				
Port 1 (CN3)	J5	J6	J7	J12
COM1	Open	Closed	Open	Open
COM2	Open	Open	Closed	Open
COM3	Closed	Open	Open	Open
COM4	Open	Open	Open	Closed
Disabled	Open	Open	Open	Open

SERIAL PORT CONFIGURATION				
Port 2 (CN1)	J8	J9	J10	J13
COM1	Closed	Open	Open	Open
COM2	Open	Closed	Open	Open
COM3	Open	Open	Closed	Open
COM4	Open	Open	Open	Closed
Disabled	Open	Open	Open	Open

Continued on next page . . .

**KOUWELL ELECTRONIC CORPORATION**  
**KW-524E**

... continued from previous page

SERIAL PORT INTERRUPT SELECT					
Port 1 (CN3)	Port 2 (CN1)	J1	J2	J3	J4
í IRQ4	í IRQ3	Pins 1 & 2	Pins 2 & 3	Pins 1 & 2	Pins 2 & 3
IRQ5	IRQ2	Pins 2 & 3	Pins 1 & 2	Pins 2 & 3	Pins 1 & 2

PARALLEL PORT CONFIGURATION			
LPT	í 1A	í 1B	í 1C
1	Open	Open	Closed
2	Open	Closed	Open
3	Closed	Open	Open

PARALLEL PORT CONFIGURATION	
IRQ	J14
í 7	Pins 1 & 2 closed
5	Pins 2 & 3 closed