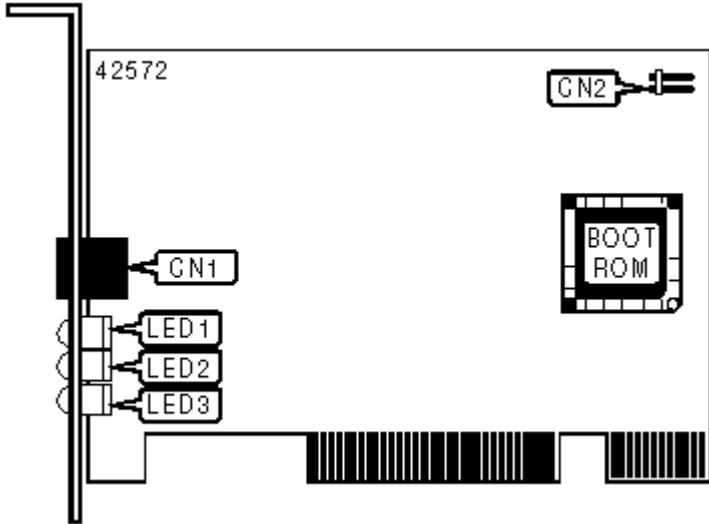


# INTEL CORPORATION

## ETHEREXPRESS PRO/100+ MANAGEMENT ADAPTER (PILA8900)

<b>Card Type</b>	Network Interface Card
<b>NIC Type</b>	Ethernet
<b>Maximum Onboard Memory</b>	6KB FIFO
<b>Boot ROM</b>	Available
<b>Network Transfer Rate</b>	100Mbps/10Mbps
<b>Topology</b>	Star
<b>Wiring Type</b>	Unshielded twisted pair
<b>Data Bus</b>	32-bit PCI



### CONNECTIONS

Function	Label	Function	Label
RJ-45 UTP connector	CN1	Wake on LAN connector	CN2

### DIAGNOSTIC LED(S)

LED	Color	Status	Condition
LED1	Unidentified	On	Network connection is good
LED1	Unidentified	Off	Network connection is not good
LED2	Unidentified	Blinking	Data is being received or sent
LED2	Unidentified	Off	Data is not being received
LED3	Unidentified	On	Operating at 100 Mbps
LED3	Unidentified	Off	Operation at 10 Mbps