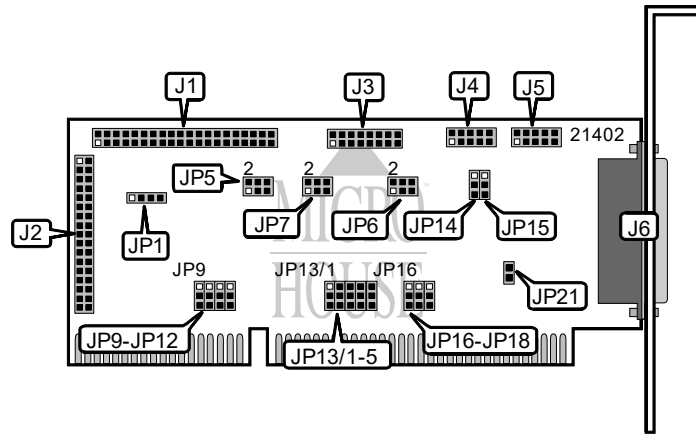


KOUWELL ELECTRONICS CORPORATION

KW - 557

Data Bus
 Card Size
 Hard Drives supported
 Floppy drives supported

16-bit ISA
 Half-height, half-length card
 Two IDE (AT) drives
 Two 360KB, 720KB, 1.2MB, 1.44MB or 2.88MB drives



CONNECTIONS			
Function	Location	Function	Location
40-pin IDE(AT) connector	J1	10-pin serial port 1	J5
34-pin cable connector - floppy drive	J2	25-pin parallel port - external	J6
16-pin game port	J3	4-pin connector - drive active LED	JP1
10-pin serial port 2	J4		

USER CONFIGURABLE SETTINGS			
Function	Label	Position	
í Floppy drive primary address is 3F0h	JP11	Pins 2 & 3 closed	
Floppy drive secondary address is 370h	JP11	Pins 1 & 2 closed	
í Floppy drive interface enabled	JP14	Pins 1 & 2 closed	
Floppy drive interface disabled	JP14	Pins 2 & 3 closed	
í Parallel port IRQ 7 select	JP16	Pins 1 & 2 closed	
Parallel port IRQ 5 select	JP16	Pins 2 & 3 closed	
í Game port enabled	JP21	Closed	
Game port disabled	JP21	Open	
í IDE(AT) interface enabled	JP15	Pins 1 & 2 closed	
IDE(AT) interface disabled	JP15	Pins 2 & 3 closed	
í IDE primary address is 1F0h	JP10	Pins 2 & 3 closed	
IDE secondary address is 170h	JP10	Pins 1 & 2 closed	

PARALLEL PORT ADDRESS SELECTION	
Setting	JP7
í LPT1 (378h)	Pins 1 & 3, 4 & 6 closed
LPT2 (278h)	Pins 1 & 3, 2 & 4 closed
Disabled	Pins 3 & 5, 4 & 6 closed

Continued on next page ...

KOUWELL ELECTRONICS CORPORATION

KW-557

... continued from last page

SERIAL PORT 1 ADDRESS SELECTION	
Setting	JP5
í COM1 (3F8h)	Pins 1 & 3, 2 & 4 closed
COM2 (2F8h)	Pins 1 & 3, 4 & 6 closed
COM3 (3E8h)	Pins 2 & 4, 3 & 5 closed
Disabled	Pins 3 & 5, 4 & 6 closed

SERIAL PORT 2 ADDRESS SELECTION	
Setting	JP6
COM1 (3F8h)	Pins 1 & 3, 4 & 6 closed
í COM2 (2F8h)	Pins 1 & 3, 2 & 4 closed
COM4 (2E8h)	Pins 2 & 4, 3 & 5 closed
Disabled	Pins 3 & 5, 4 & 6 closed

SERIAL PORT 1 INTERRUPT SELECTION					
IRQ	JP13/1	JP13/2	JP13/3	JP13/4	JP13/5
IRQ3	Open	1 & 2	Open	Open	Open
í IRQ4	Open	Open	1 & 2	Open	Open
IRQ5	Open	Open	Open	1 & 2	Open
IRQ9	Open	Open	Open	Open	1 & 2
IRQ12	1 & 2	Open	Open	Open	Open

Note: Designated pins should be in closed position.

SERIAL PORT 2 INTERRUPT SELECTION					
IRQ	JP13/1	JP13/2	JP13/3	JP13/4	JP13/5
í IRQ3	Open	2 & 3	Open	Open	Open
IRQ4	Open	Open	2 & 3	Open	Open
IRQ5	Open	Open	Open	2 & 3	Open
IRQ9	Open	Open	Open	Open	2 & 3
IRQ12	2 & 3	Open	Open	Open	Open

Note: Designated pins should be in closed position.

PARALLEL PORT MODE SELECTION		
Setting	JP9	JP12
í Uni-directional	Pins 2 & 3 closed	Pins 2 & 3 closed
EPP	Pins 1 & 2 closed	Pins 2 & 3 closed
ECP	Pins 2 & 3 closed	Pins 1 & 2 closed
Bi-Directional (EPP/ECP)	Pins 1 & 2 closed	Pins 1 & 2 closed

PARALLEL PORT DMA SELECTION		
Setting	JP17	JP18
1	Pins 2 & 3 closed	Pins 2 & 3 closed
í 3	Pins 1 & 2 closed	Pins 1 & 2 closed