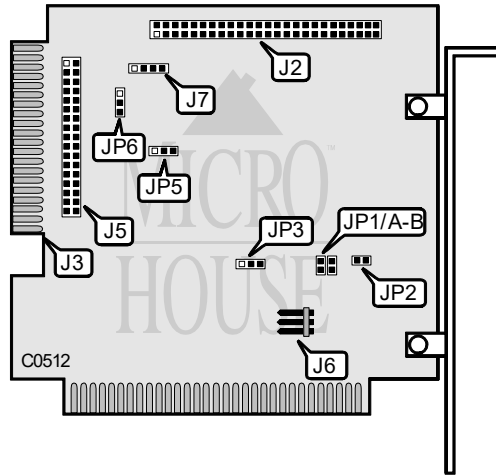


CMS ENHANCEMENTS, INC. HBA-CMS2

Q3/94

Data bus: 8-bit ISA
 Size: Half-length, full-height card
 Hard drive supported: Two MFM ST506/412 drives, up to seven SCSI devices
 Floppy drives supported: None



CONNECTIONS	
Function	Location
50-pin SCSI connector	J2
34-pin edge connector - floppy drive	J3
34-pin control cable connector - floppy drive	J5
External power connector	J6
Drive active LED connector	J7

USER CONFIGURABLE SETTINGS		
Function	Location	Setting
í OWS signal disabled	JP2	open
OWS signal enabled	JP2	closed
í IRQ3 enabled	JP3	pins 1 & 2 closed
IRQ5 enabled	JP3	pins 2 & 3 closed
Interrupt disabled	JP3	open
í 360KB/720KB/1.2MB/1.44MB floppy drives supported	JP5	pins 2 & 3 closed
360KB/720KB floppy drives supported	JP5	pins 1 & 2 closed
í AT register emulation enabled	JP6	pins 2 & 3 closed
AT register emulation disabled	JP6	pins 1 & 2 closed

Continued on next page. . .

CMS ENHANCEMENTS, INC.
HBA-CMS2

. . .continued from previous page

BASE MEMORY ADDRESS SELECT		
Address	JP1/A	JP1/B
í C8000h	open	open
CC000h	open	closed
DC000h	closed	closed
Invalid	closed	open