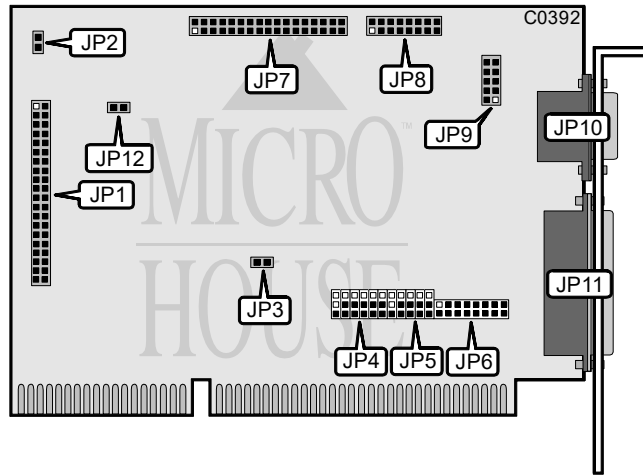


VIVA COMPUTER COMPANY  
W757BF-556 REV. 1

Q1/94

Data bus: 16-bit, ISA  
 Size: Half-length, full-height card  
 Hard drive supported: Two IDE (AT) Interface drives  
 Floppy drives supported: Two 360KB, 720KB, 1.2MB, or 1.44MB drives



CONNECTIONS	
Function	Location
40-pin IDE(AT) Interface connector	JP1
2-pin connector - Drive active LED	JP2
34-pin control cable connector - floppy drive	JP7
15-pin game port - internal	JP8
10-pin serial port (COM2/3/4) - internal	JP9
10-pin serial port (COM1/3/4) - external	JP10
25-pin parallel port (LPT1/2/3) - external	JP11

USER CONFIGURABLE SETTINGS		
Function	Location	Setting
Parallel port is uni-directional	JP3	closed
Parallel port is bi-directional	JP3	open
Hard drive port address is 1F0-1F7, 3F6 & 3F7h	JP5/jumper 1	pins 1 & 2 closed
Hard drive port address is 170-177, 376 & 377h	JP5/jumper 1	pins 2 & 3 closed
Floppy drive port address is 3F0-3F7h	JP5/jumper 2	pins 1 & 2 closed
Floppy drive port address is 370-377h	JP5/jumper 2	pins 2 & 3 closed
Floppy drive booting sequence A:/B:	JP5/jumper 3	pins 2 & 3 closed
Floppy drive booting sequence B:/A:	JP5/jumper 3	pins 1 & 2 closed
Hard drive enabled	JP5/jumper 4	pins 2 & 3 closed
Hard drive disabled	JP5/jumper 4	pins 1 & 2 closed
Floppy drive enabled	JP5/jumper 5	pins 2 & 3 closed
Floppy drive disabled	JP5/jumper 5	pins 1 & 2 closed
Game port enabled	JP12	closed
Game port disabled	JP12	open

Continued on next page . . .

SERIAL PORT CONFIGURATION		
Port 1 (JP10)	JP4/jumper 1	JP4/jumper 2
í COM1	pins 2 & 3 closed	pins 1 & 2 closed
COM3	pins 1 & 2 closed	pins 2 & 3 closed
COM4	pins 2 & 3 closed	pins 2 & 3 closed
Disabled	pins 1 & 2 closed	pins 1 & 2 closed

SERIAL PORT CONFIGURATION		
Port 2 (JP9)	JP4/jumper 3	JP4/jumper 6
í COM2	pins 2 & 3 closed	pins 1 & 2 closed
COM3	pins 2 & 3 closed	pins 2 & 3 closed
COM4	pins 1 & 2 closed	pins 2 & 3 closed
Disabled	pins 1 & 2 closed	pins 1 & 2 closed

PARALLEL PORT CONFIGURATION		
LPT	JP4/jumper 4	JP4/jumper 5
í LPT2	pins 2 & 3 closed	pins 1 & 2 closed
LPT1	pins 2 & 3 closed	pins 2 & 3 closed
LPT3	pins 1 & 2 closed	pins 2 & 3 closed
Disabled	pins 1 & 2 closed	pins 1 & 2 closed

SERIAL PORT INTERRUPT REQUEST			
Port 1 (JP10)	JP6/jumper 1	JP6/jumper 2	JP6/jumper 3
í IRQ4	Closed	Open	Open
IRQ3	Open	Closed	Open
IRQ5	Open	Open	Closed

SERIAL PORT INTERRUPT REQUEST			
Port 2 (JP9)	JP6/jumper 4	JP6/jumper 5	JP6/jumper 6
í IRQ3	Closed	Open	Open
IRQ4	Open	Closed	Open
IRQ5	Open	Open	Closed

PARALLEL PORT INTERRUPT REQUEST		
IRQ	JP6/jumper 7	JP6/jumper 8
í IRQ7	Closed	Open
IRQ5	Open	Closed