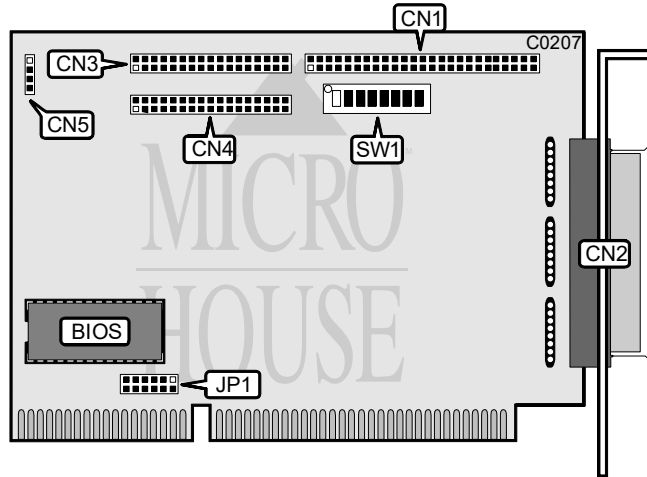


TRANTOR SYSTEMS, LTD.
T128F

Q4/92

Data bus: 16-bit, ISA
 Size: Three-quarter length, full-height card
 Hard drives supported: Up to seven SCSI devices
 Floppy drives supported: None



CONNECTIONS	
Function	Location
50-pin SCSI connector-internal	CN1
50-pin SCSI connector-external	CN2
34-pin control cable connector-floppy drives 0 and 1	CN3
34-pin control cable connector-floppy drives 2 and 3	CN4
4-pin connector-Drive Active LED	CN5

Continued on next page . . .

TRANTOR SYSTEMS, LTD.
T128F

. . . continued from previous page

USER CONFIGURABLE SETTINGS		
Function	Location	Setting
í Full Handshake Interlock disabled	SW1/switch 3	on
Full Handshake Interlock enabled	SW1/switch 3	off
í BIOS enabled	SW1/switch 4	off
BIOS disabled	SW1/switch 4	on
í Zero wait-state disabled	SW1/switch 5	on
Zero wait-state enabled	SW1/switch 5	off
í Floppy drive enabled	SW1/switch 8	on
Floppy drive disabled	SW1/switch 8	off
Note: SW1/switches 1 and 2 are reversed and must be left "on".		

BIOS ADDRESS		
Address	SW1/switch 6	SW1/switch 7
CC000h	on	on
C8000h	on	off
DC000h	off	on
D8000h	off	off

INTERRUPT REQUEST		
IRQ	JP1	Position
IRQ3	pins 2 & 4 only	closed
IRQ5	pins 1 & 3 only	closed
IRQ7	pins 3 & 5 only	closed
IRQ10	pins 8 & 10 only	closed
IRQ12	pins 7 & 9 only	closed
IRQ14	pins 10 & 12 only	closed
IRQ15	pins 9 & 11 only	closed
Disabled	pins 1 through 12 only	open