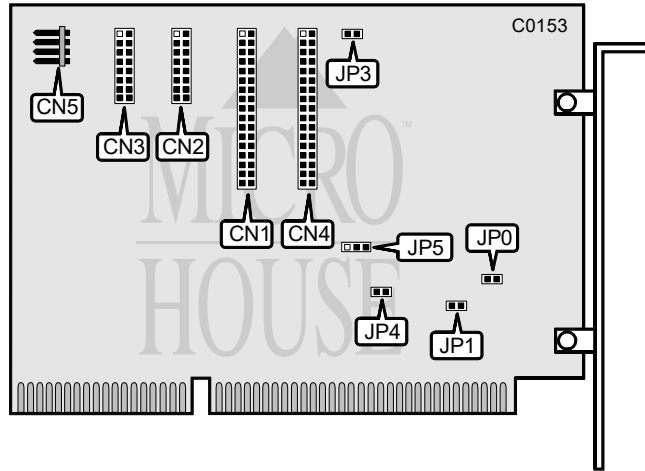


NCL AMERICA NCL 5525, NCL 5526

Data bus: 16-bit, ISA
 Size: Half-length, full-height card
 Hard drives supported: Two ST506/412 MFM drives
 Floppy drives supported: NCL 5525: Two 360 KB, 720 KB, 1.2 MB, or 1.44 MB drives
 NCL 5526: None
 Maximum heads/cyl.: 16 heads and 2048 cylinders



CONNECTIONS	
34-pin control cable connector-hard drive	CN1
20-pin data cable connector-drive 0	CN2
20-pin data cable connector-drive 1	CN3
34-pin control cable connector-floppy drive (NCL 5525 only)	CN4
4-pin connector-DC power	CN5

USER CONFIGURABLE SETTINGS		
Function	Location	Setting
Hard drive address is 1F0-1F7h	JP0	open
Hard drive address is 170-177h	JP0	closed
Floppy drive address is 3F2-3F7h	JP1 & JP4	open
Floppy drive address is 372-377h	JP1 & JP4	closed
Factory configured - do not alter	JP3	N/A
Factory configured - do not alter	JP5	pins 2 & 3 closed

